

NEW

RSC-232 COMMUNICATION CONVERTER



With Automatic Data Detection

- **Converts RS-232 PC signals into RS-422/RS-485 communication signals**
- **Overcomes control problem with internal automatic RTS signal**
 - **Built-in power supply**
- **LED indicators for communication status**

 **SATEC**
Powerful Solutions

NEW

RSC-232 COMMUNICATION CONVERTER

RS-422
RS-485



RS-232

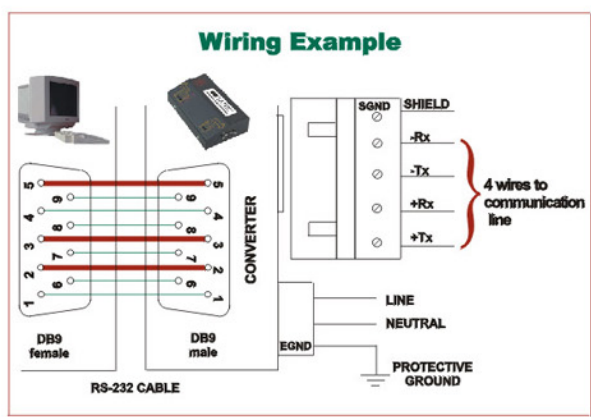
Supports 5 types of operation:

- point-to-point/4-wire full duplex
- point-to-point/2-wire half duplex
- multidrop/4-wire full duplex
- multidrop/2-wire half duplex
- simplex/transmit, receive only

LED indicators:

- Power
- RS-232 TXD
- RS-232 RXD
- RS-422/RS-485 TX enable
- RS-422/RS-485 TXD enable
- RS-422/RS-485 RXD enable

- Ideal for controlling devices over large distances
 - Allows communication with several devices via 1 link (point to multipoint)
- Enables multidrop information retrieval of data from up to 31 Powermeters
 - User selectable modes and baud rates
 - Isolation protection up to 2000 V RMS
 - AC/DC or low DC power supply
 - Easy dip switch setting



SATEC, Ltd.

Har Chotzvim Science Based Industrial Park
 P.O.Box 45022, Jerusalem, 91450 Israel
 Tel.: 972-2-541-1000 Fax: 972-2-581-2371
 e-mail: satec@satec.co.il www.satec.co.il

SATEC, Inc.

One Springfield Ave., Summit, NJ 07901
 Tel: (908) 608-0500 Fax: (908) 608-0535
 e-mail: satec@oksatec.com www.oksatec.com

Distributor

Ordering Information

Communications Converter Rs232 - -

- Mounting**
- Table Top * T
 - Din Mounting D
 - Wall Mounting W

- Power Supply**
- ACDC* 85 - 264V AC and 110 - 290V DC
 - 1DC 10 - 18V DC
 - 2DC 18 - 36V DC
 - 3DC 36 - 72V DC

* Standard
 Example: RSC232 - W - 3DC

